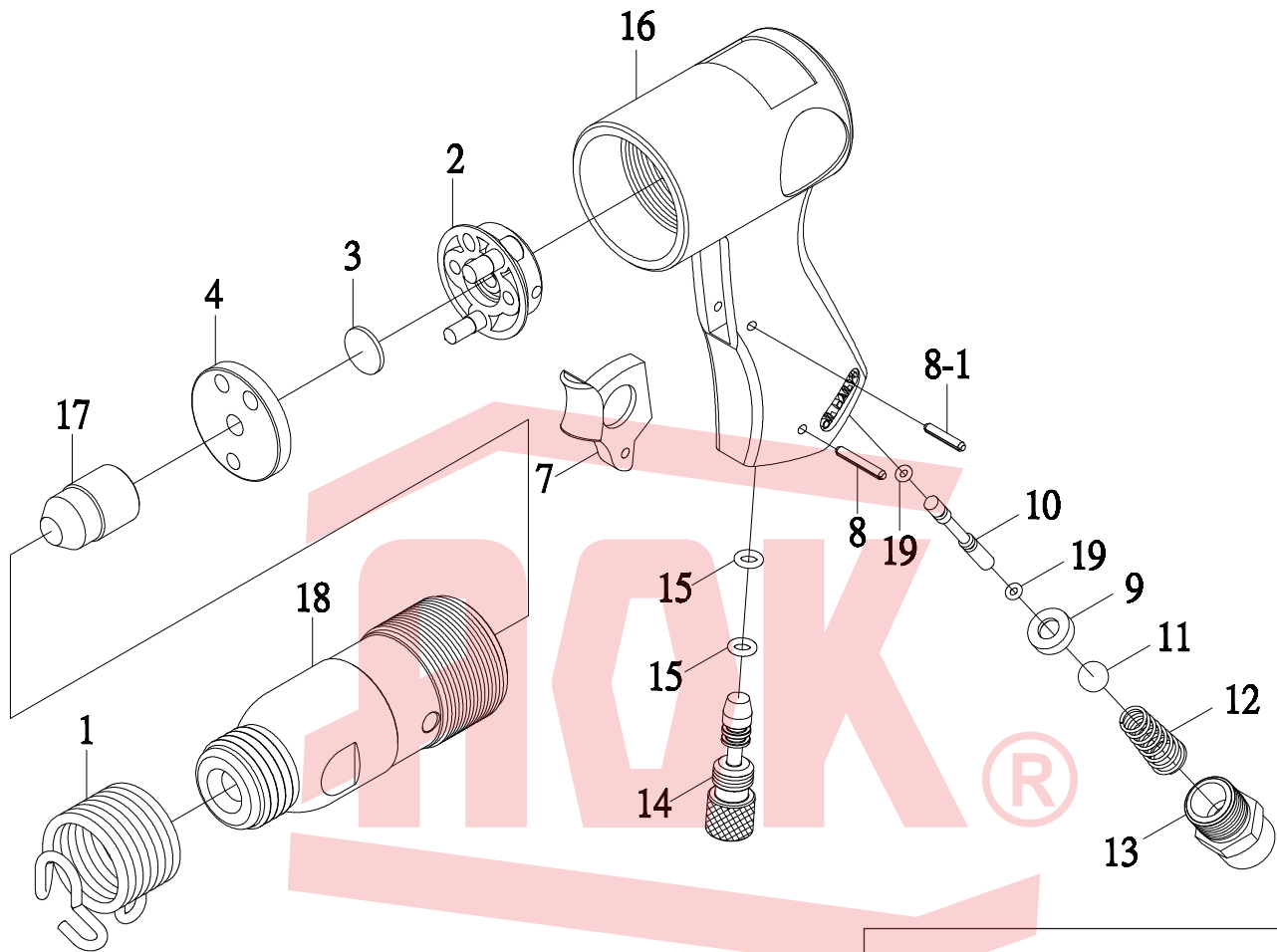


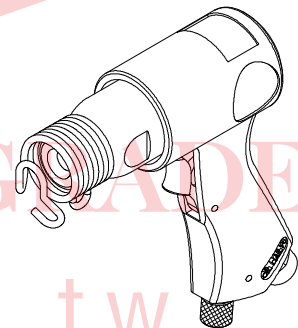
AIR HAMMER



AHM-1050

SPECIFICATION :

*BLOW PER MINUTE-----5000 BPM	*PISTON SIZE(mm)-----19
*AIR CONS-----10 CFM	*WEIGHT-----1.2 KG
*AIR PRESSURE-----90 PSI	*AIR INLET-----1/4"PT(NPT)
*HOSE SIZE-----3/8" ID	



REF. NO.	PART NO.	DESCRIPTION	Q'IY	REF. NO.	PART NO.	DESCRIPTION	Q'IY
1	AHM-1050-01	RETAINER SPRING	1	12	AHM-1050-12	SPRING	1
2	AHM-1050-02	UPPER VALVE ASSY	1	13	AHM-1050-13	INLET BUSHING	1
3	AHM-1050-03	VALVE DISC	1	14	AHM-1050-14	REGULATOR	1
4	AHM-1050-04	LOWER VALVE SEAT	1	15	AHM-1050-15	"O" RING(d5.0xW2.0)	2
7	AHM-1050-07	TRIGGER	1	16	AHM-1050-16	HANDLE	1
8	AHM-1050-08	SPRING PIN(Ø3×20L)	1	17	AHM-1050-17	PISTON	1
8-1	AHM-1050-08-1	SPRING PIN(Ø3×16L)	1	18	AHM-1050-18	CYLINDER-ROUND	1
9	AHM-1050-09	BALL SEAT	1		AHM-1050-18	CYLINDER-HEX(10mm)	1
10	AHM-1050-10	PUSH ROD	1	19	AHM-1050-19	"O" RING(d2.5xW1.5)	2
11	AHM-1050-11	STEEL BALL(3/8")	1				